



## HPS III-MHL200 linear version

Technical data

Version 04/2022

# HPS III-MHL200 linear version

Single nozzle and system nozzle

## Dimensions and tip versions

Version	System nozzle	Single nozzle					
Machine radius ( <b>Dim. R</b> )	--	0	15	15.5	40	1/2" (13.2)	3/4" (19.5)
<b>Dim. T</b>	--	0	2	2	0.8	2	1.8
Locating ring	--	Item number 50456... Diameter .100 / .110 / .125 / .160 / .175					

Width of nozzle block ( <b>Dim. B</b> )	62
Number of tips	4
Distance between cavities ( <b>Dim. S1</b> )	<b>S1=42</b>
Nozzle length ( <b>Dim. G</b> ) <sup>(1)</sup>	129, 138, 148, 168
Positions of bars	<b>A</b> (on nozzle side with tips) <b>B</b> (on nozzle side without tips)

Tip versions	90°	60°
Distance between cavity rows ( <b>Dim. Y</b> )	62	62
<b>Dim. X</b>	60	64.5
Recommended gate diameters	0.8 - 1.5	0.8 - 1.5

(1) Other nozzle lengths available on request

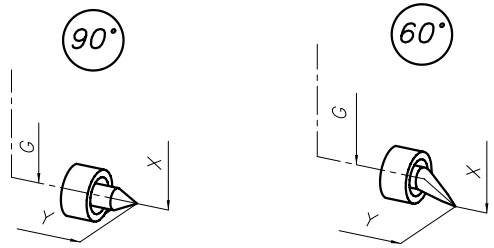
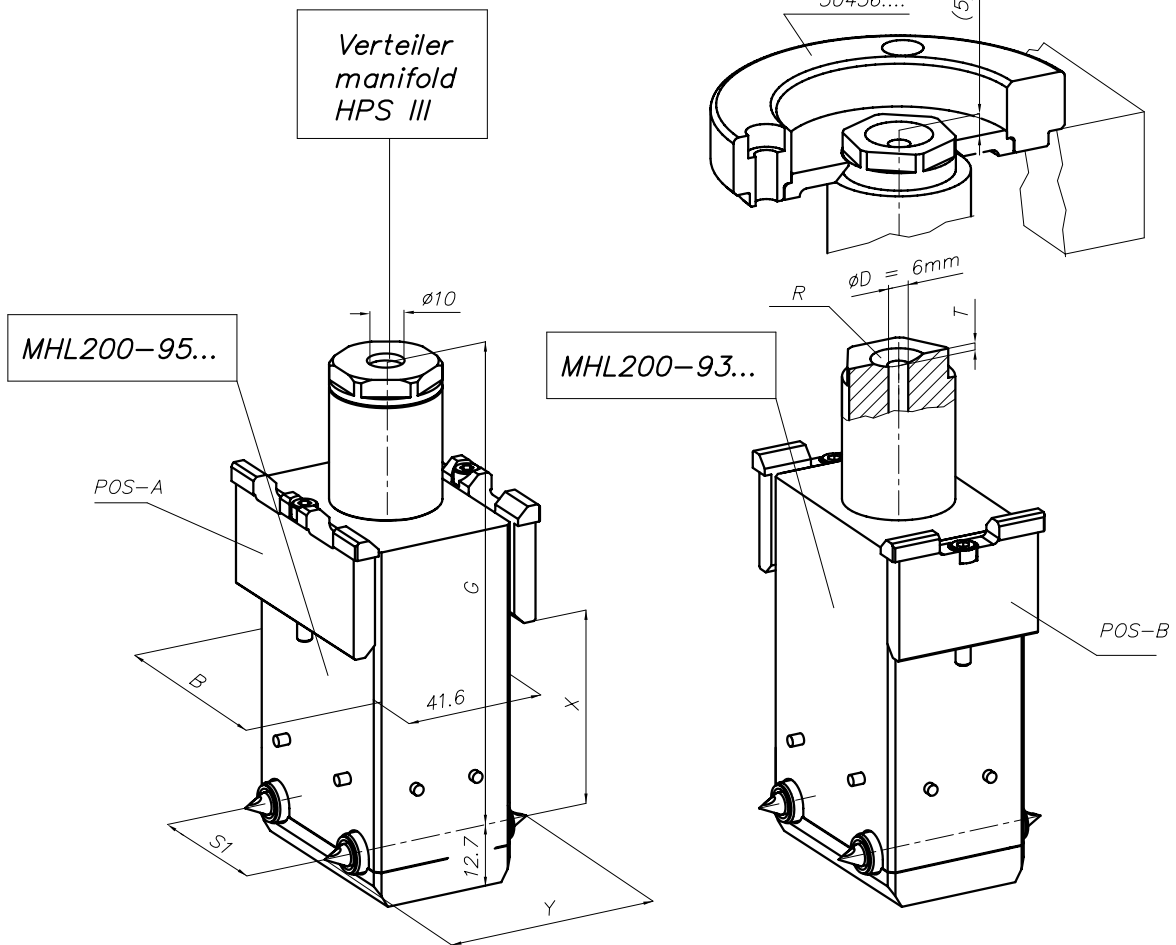
### Item numbers:

System nozzle: **MHL200-95...**

Single nozzle: **MHL200-93...**

**Each nozzle will be configured individually to suit your application requirements. Please contact us!**

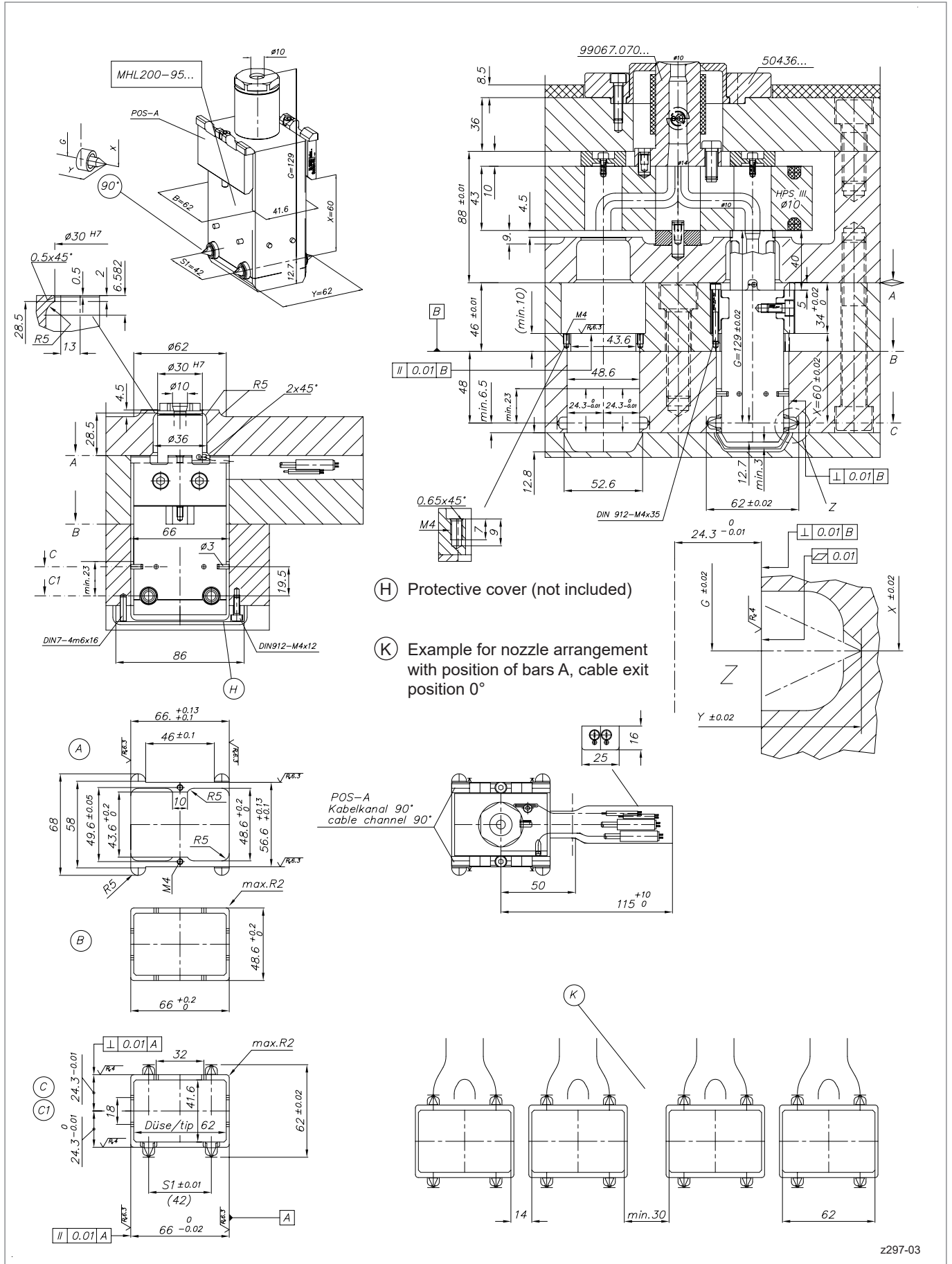
**ATTENTION!**  
The injection unit contact pressure  
must not exceed 30 KN





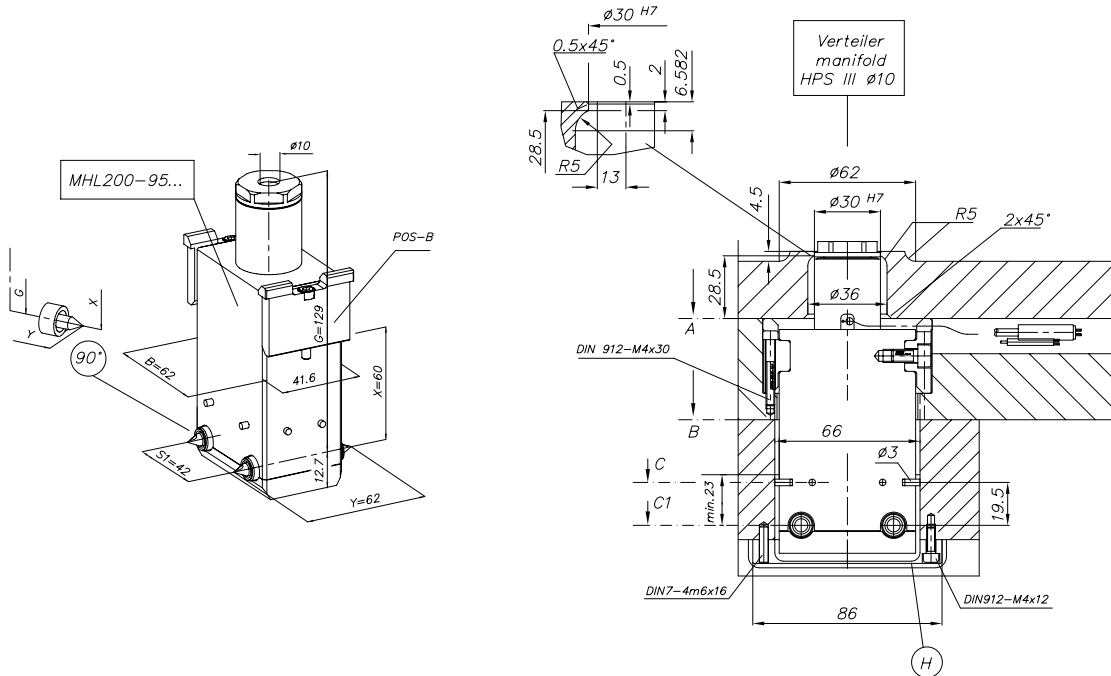
# HPS III-MHL200 linear version

Assembly example for system nozzle, 4-drop, width of nozzle block 62, position of bars A

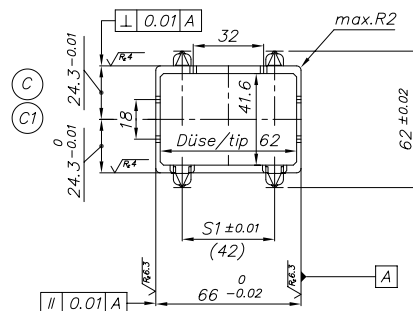
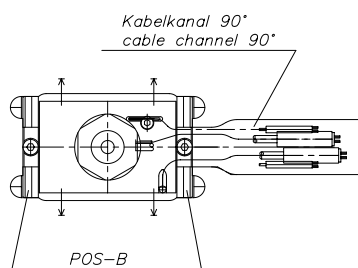
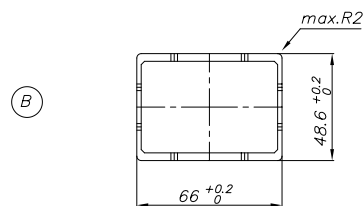
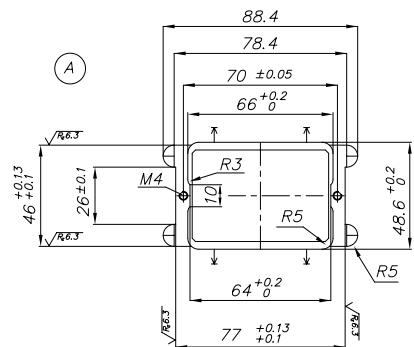


# HPS III-MHL200 linear version

Assembly example for system nozzle, 4-drop, width of nozzle block 62, position of bars B



(H) Protective cover (not included)

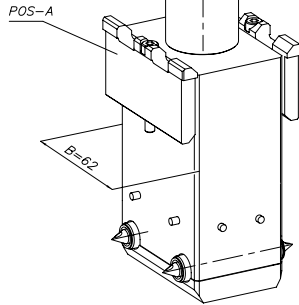


# HPS III-MHL200 linear version

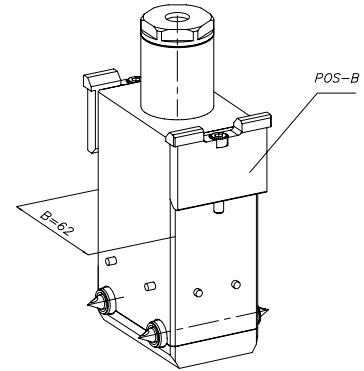
Cable exit positions for power and thermocouple, width of nozzle block 62

## Position of bars A

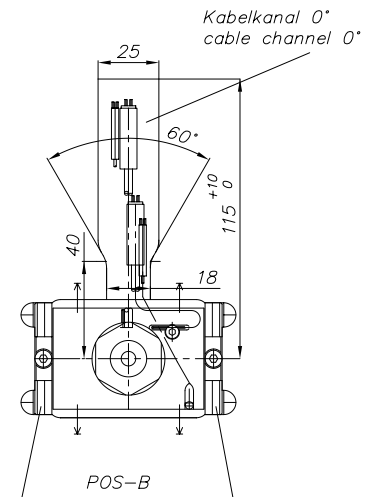
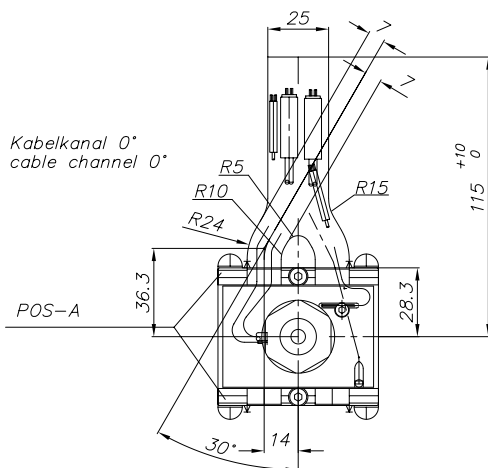
MHL200-93...  
MHL200-95...



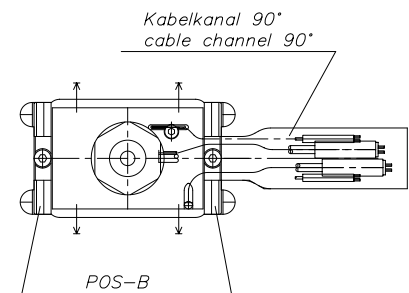
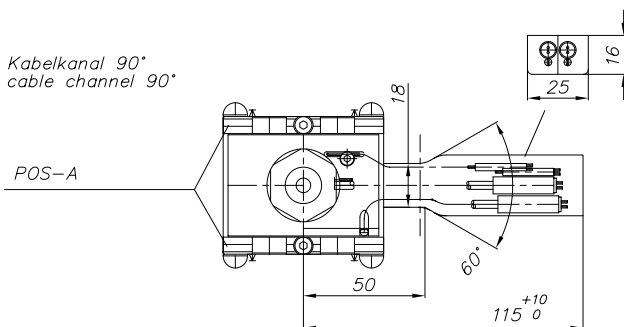
## Position of bars B



0°



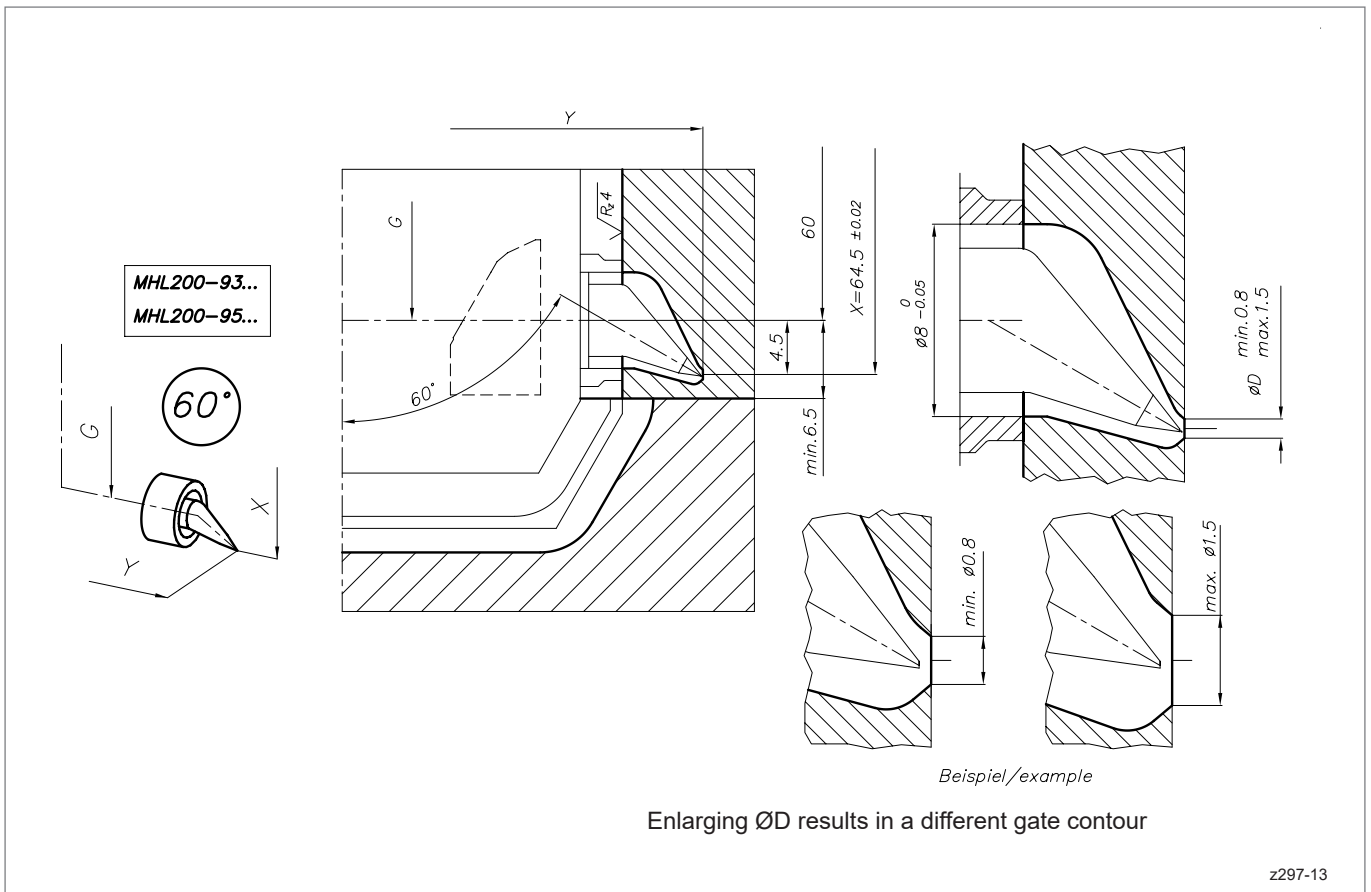
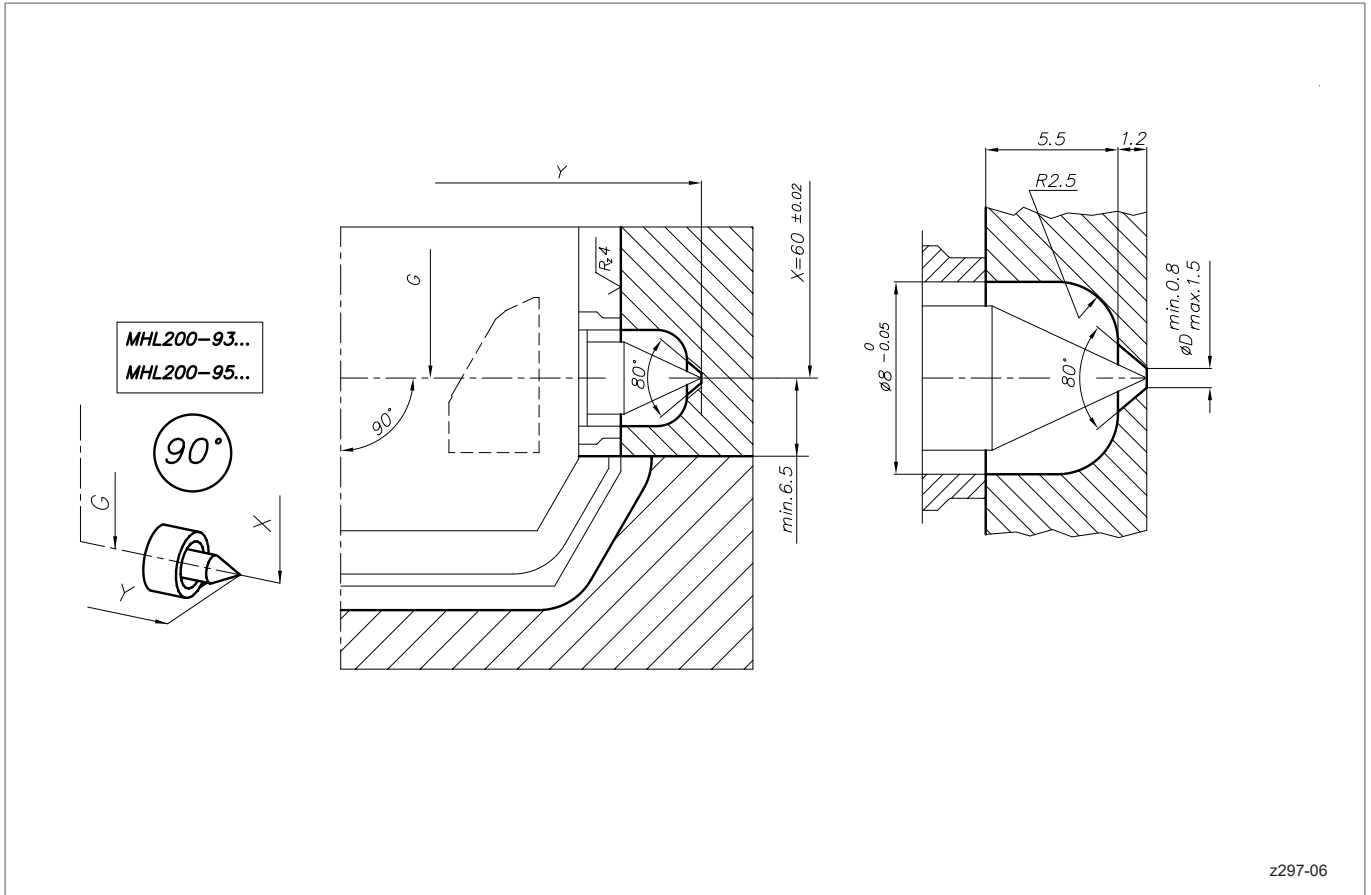
90°



z297-05

# HPS III-MHL200 linear version

## Details of gating geometries







**EWIKON Heißkanalsysteme GmbH**  
Siegener Straße 35 • 35066 Frankenberg / Germany  
Tel: +49 6451 501-0 • E-Mail: [info@ewikon.com](mailto:info@ewikon.com)  
[www.ewikon.com](http://www.ewikon.com)

Technical information subject to alteration | EWIKON 04/2022 EN

