



HPS III-MHL100 linear version

Technical data

Version 12/2023

HPS III-MHL100 linear version

Single nozzle and system nozzle

Dimensions and tip versions

Version	System nozzle	Single nozzle					
Machine radius (Dim. R)	--	0	15	15.5	40	1/2" (13.2)	3/4" (19.5)
Dim. T	--	0	2	2	0.8	2	1.8
Locating ring	--	Item number 50456... Diameter .100 / .110 / .125 / .160 / .175					

Width of nozzle block (Dim. B)	42	62	
Number of tips	4	4	8
Distance between cavities (Dim. S1, Dim. S2)	S1=16 or S1=28	S1=30 or S1=48	S1=12 (S2=36) or S1=16 (S2=48)
Nozzle length (Dim. G) ⁽¹⁾	129, 138, 148, 168		
Positions of bars	A (on nozzle side with tips) B (on nozzle side without tips)		

Tip versions	90°	60°	NV (valve gate)
Distance between cavity rows (Dim. Y)	60	60	56
Dim. X	60	63	64.5
Recommended gate diameters	0.5 - 1.2	0.9 - 1.5	0.8 - 1.2

(1) Other nozzle lengths available on request

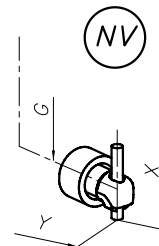
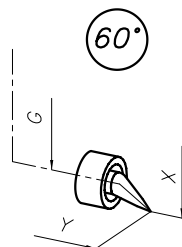
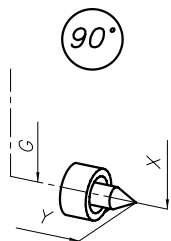
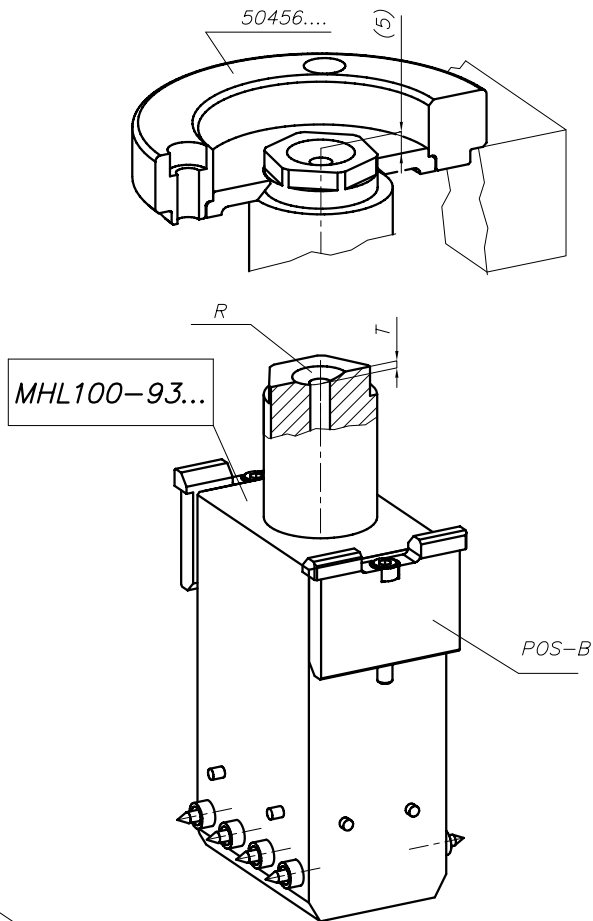
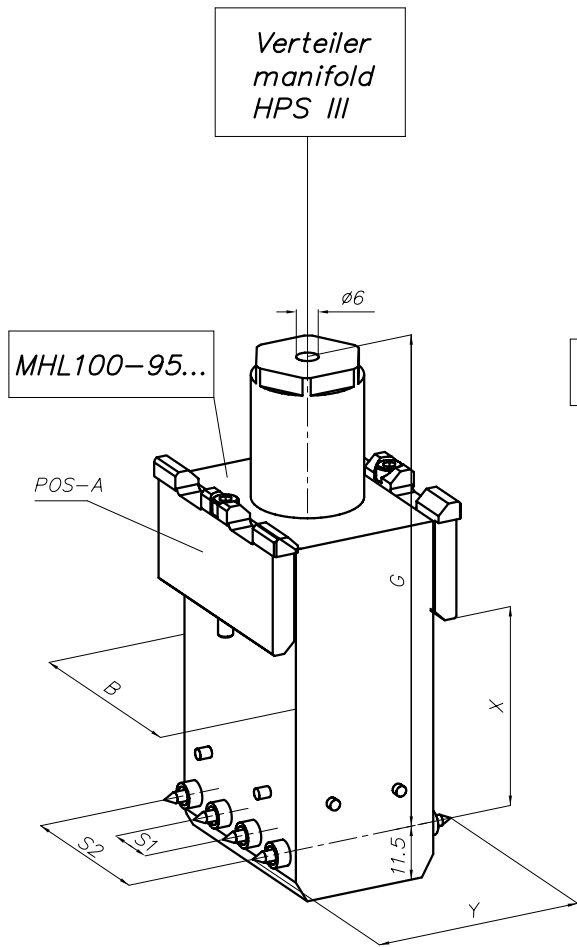
Item numbers:

System nozzle: **MHL100-95...**

Single nozzle: **MHL100-93...**

Each nozzle will be configured individually to suit your application requirements. Please contact us!

ATTENTION!
The injection unit contact pressure
must not exceed 30 KN

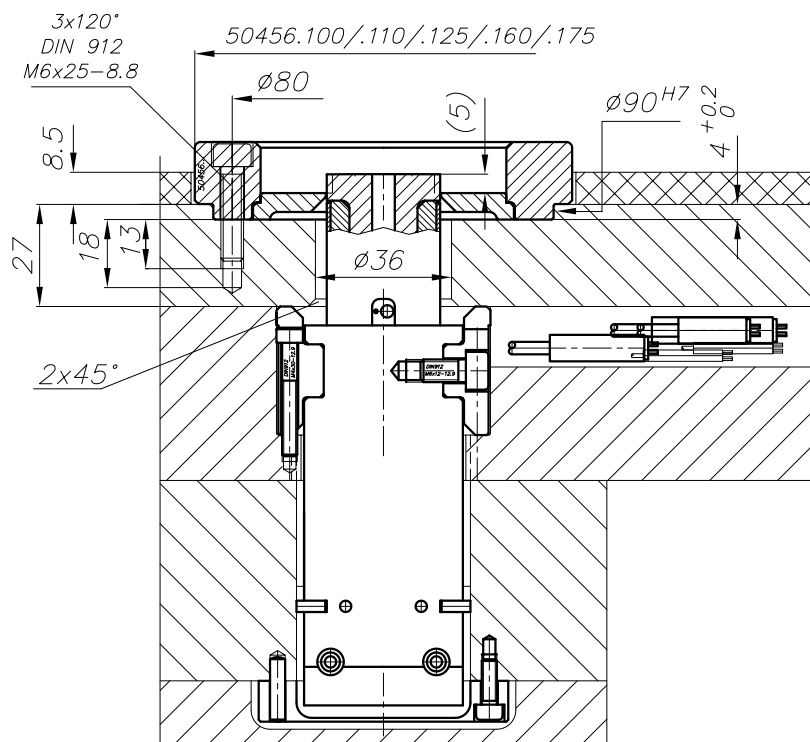
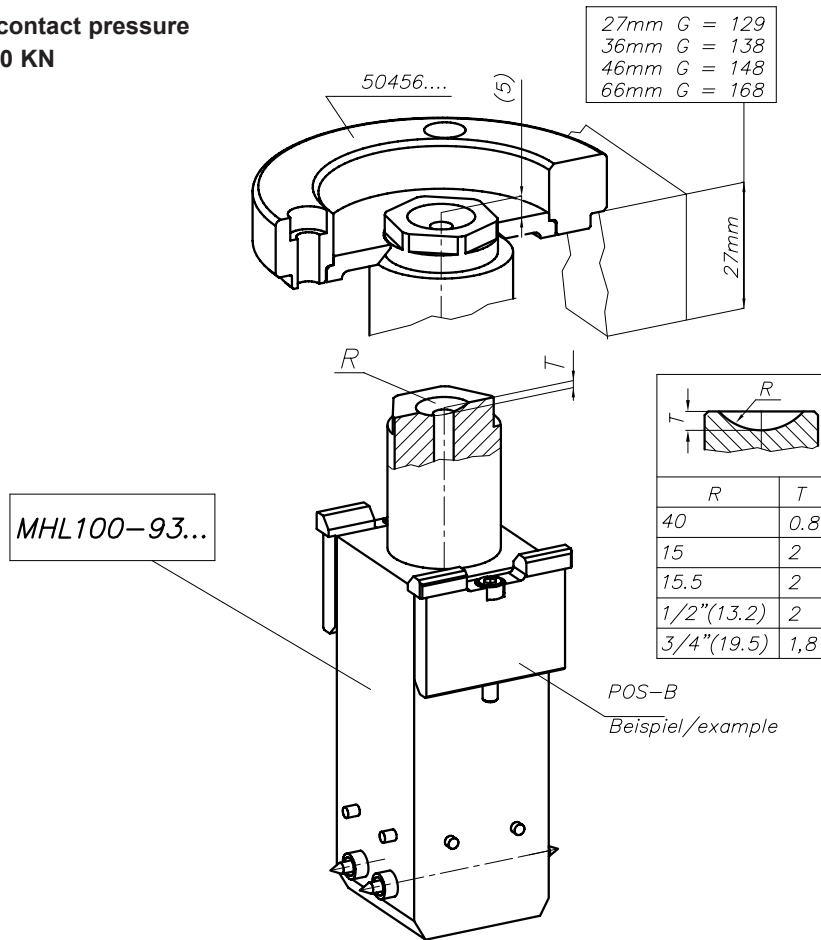


HPS III-MHL100 linear version

Assembly example for single nozzle, 4-drop, width of nozzle block 42, position of bars B

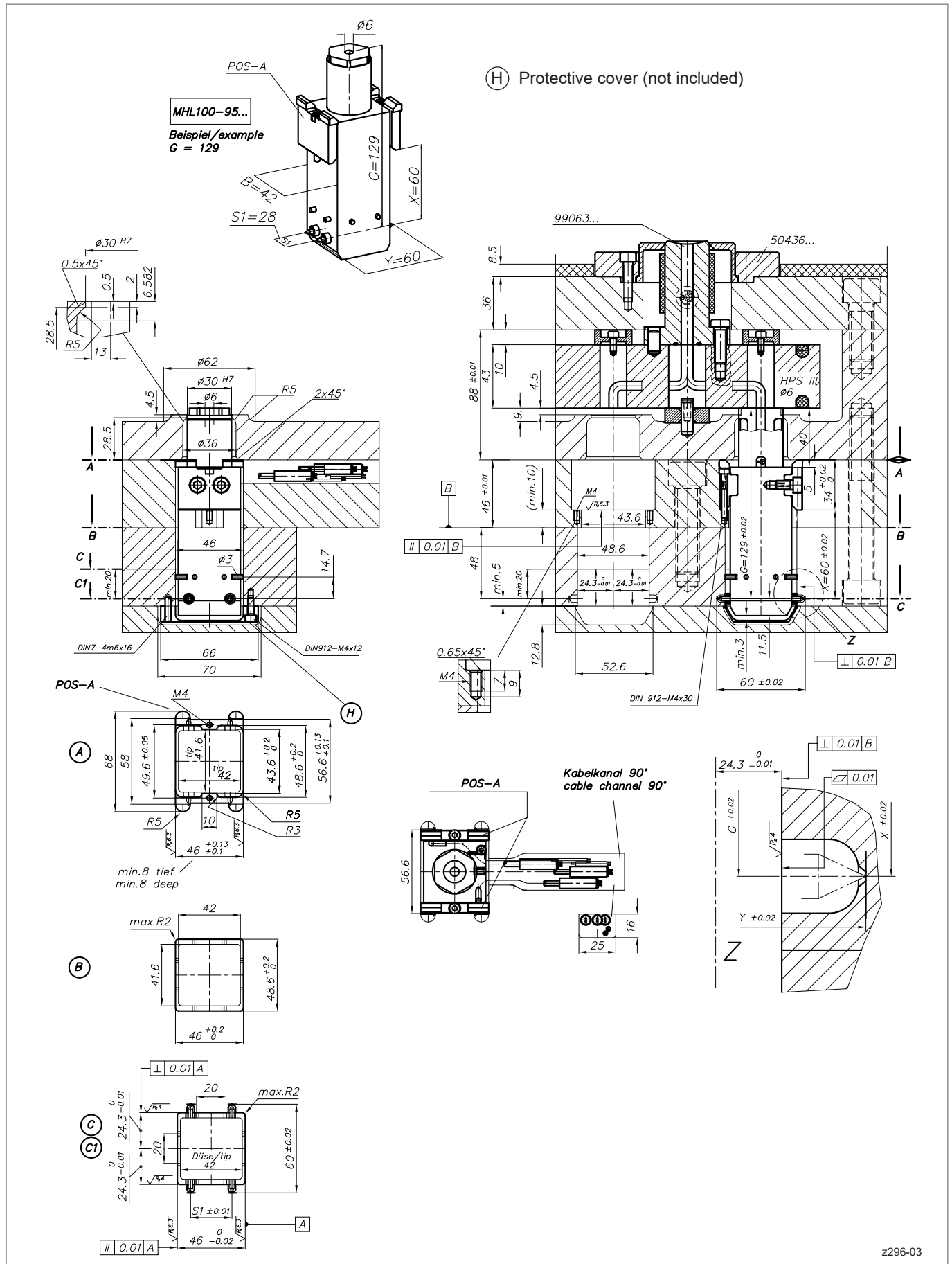
ATTENTION!

The injection unit contact pressure must not exceed 30 KN



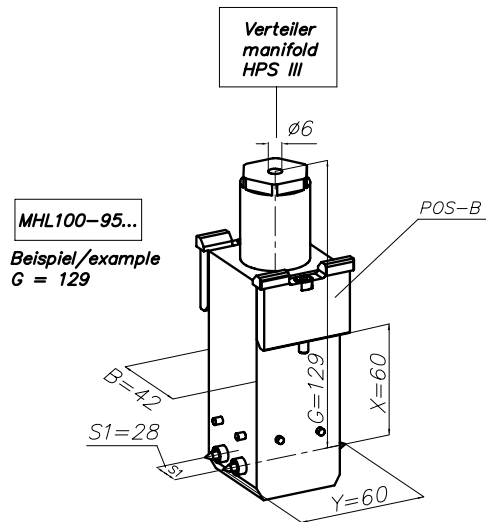
HPS III-MHL100 linear version

Assembly example for system nozzle, 4-drop, width of nozzle block 42, position of bars A

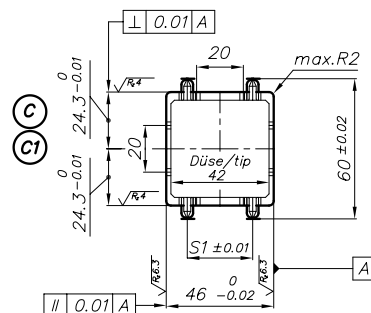
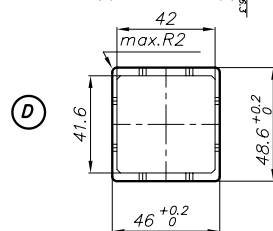
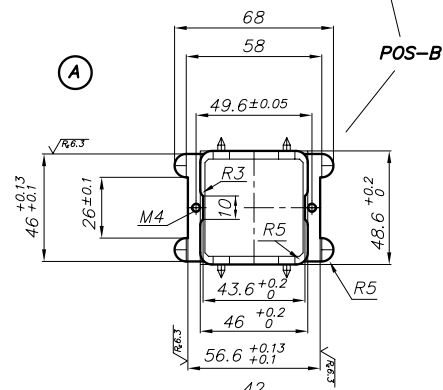
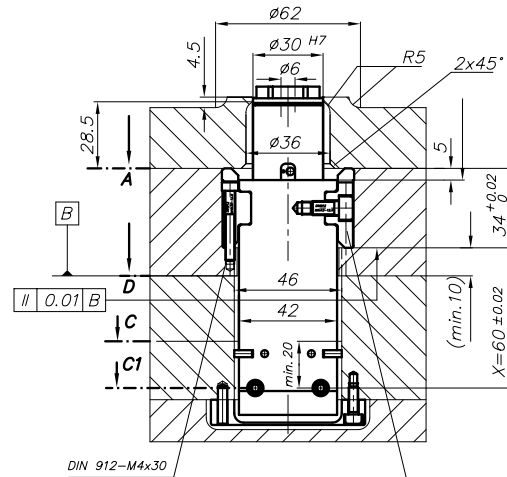


HPS III-MHL100 linear version

Assembly example for system nozzle, 4-drop, width of nozzle block 42, position of bars B

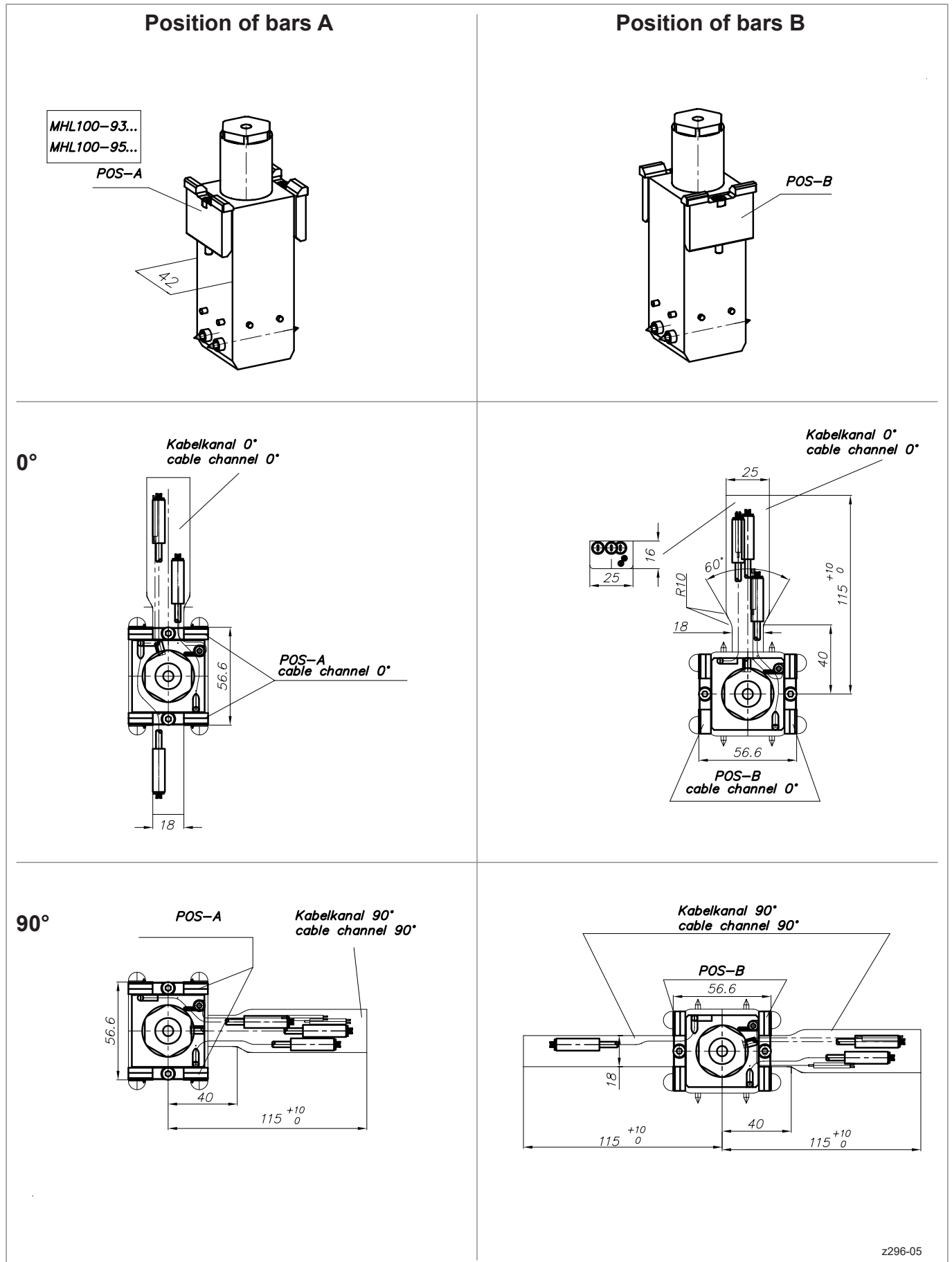


(H) Protective cover (not included)



HPS III-MHL100 linear version

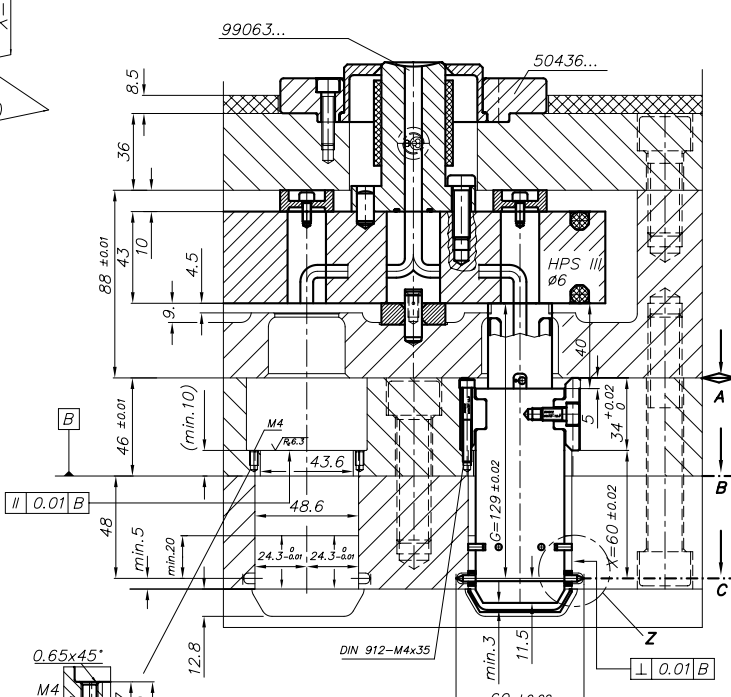
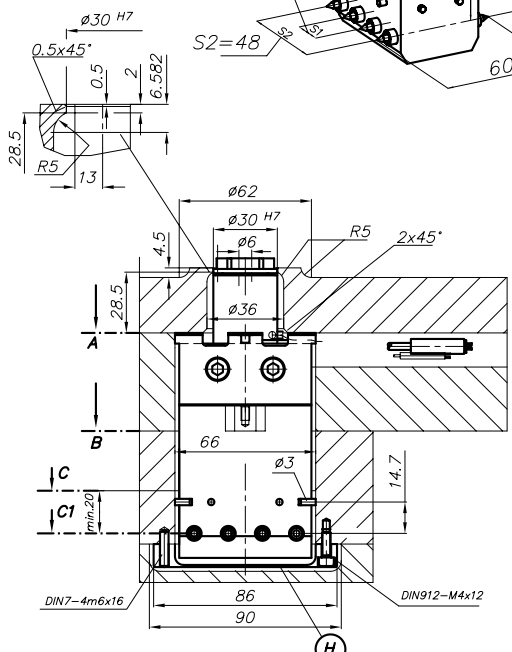
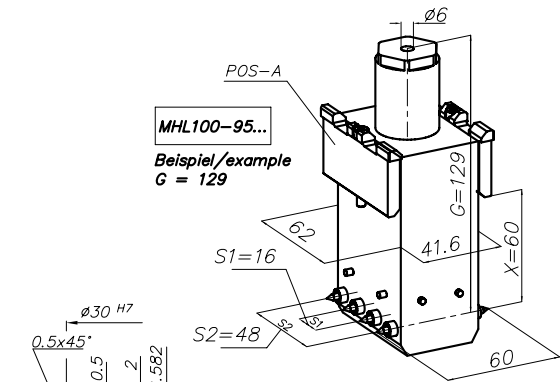
Cable exit positions for power and thermocouple, width of nozzle block 42



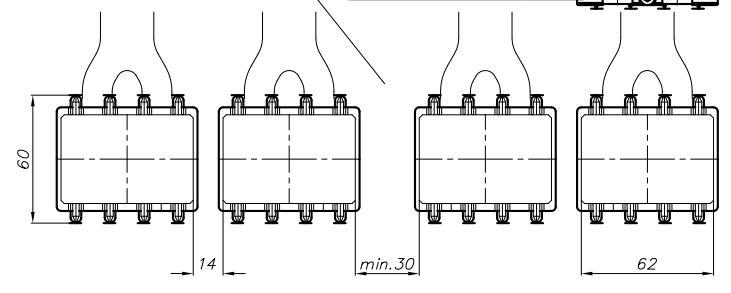
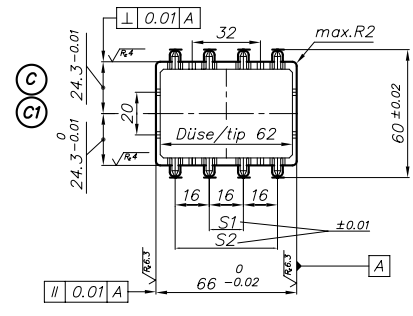
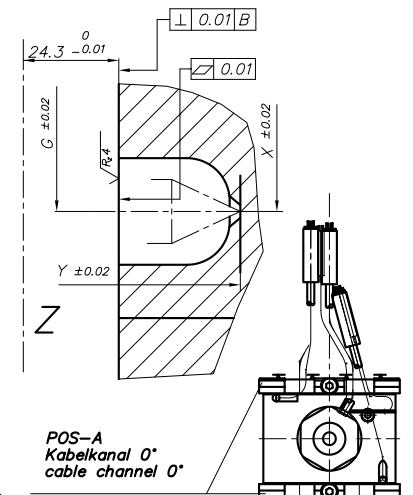
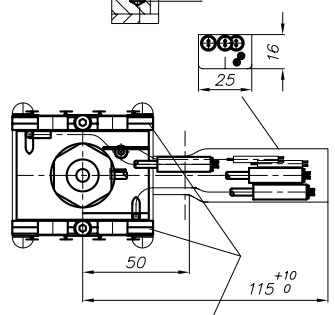
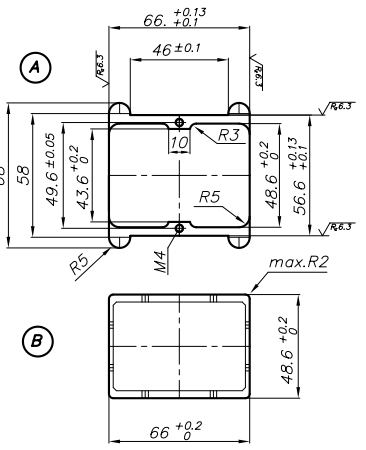
z296-05

HPS III-MHL100 linear version

Assembly example for system nozzle, 8-drop, width of nozzle block 62, position of bars A

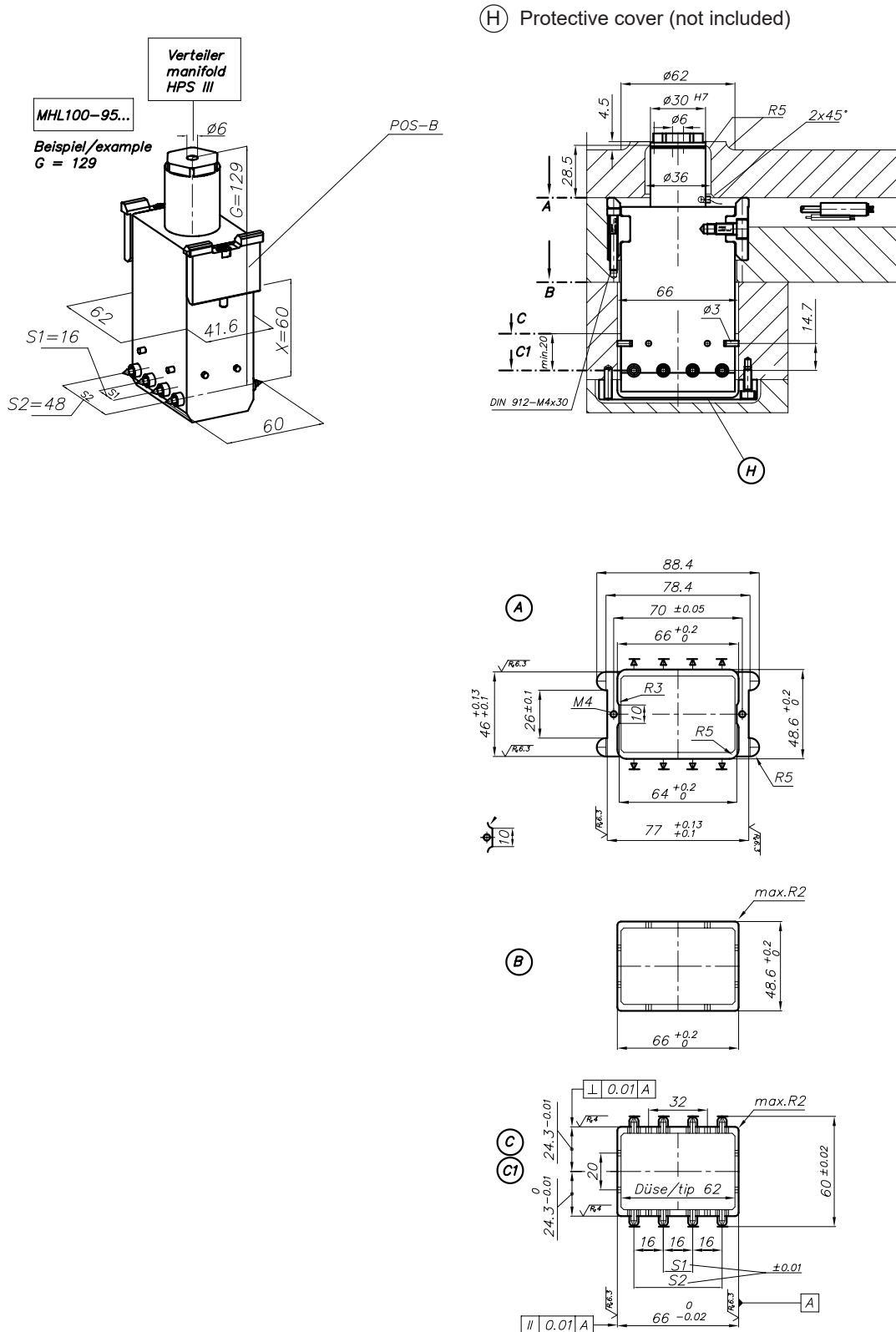


- (H) Protective cover (not included)
- (K) Example for nozzle arrangement with position of bars A, cable exit position 0°



HPS III-MHL100 linear version

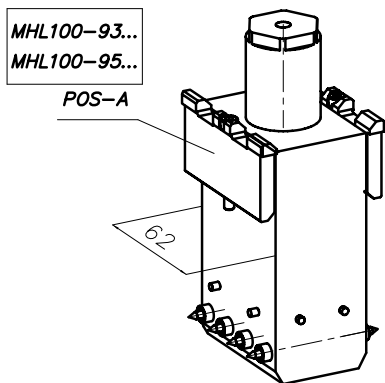
Assembly example for system nozzle, 8-drop, width of nozzle block 62, position of bars B



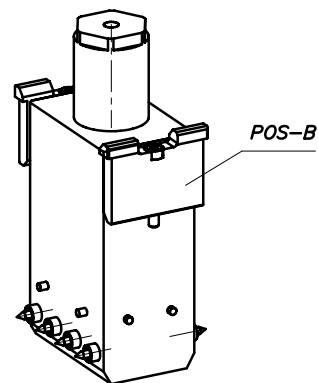
HPS III-MHL100 linear version

Cable exit positions for power and thermocouple, width of nozzle block 62

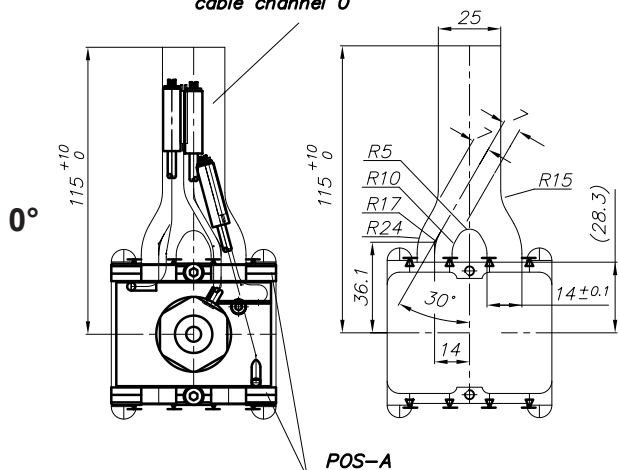
Position of bars A



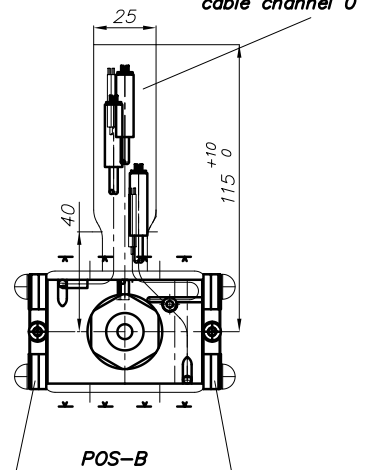
Position of bars B



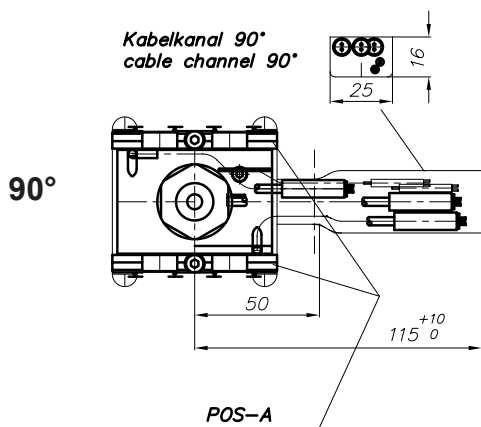
**Kabelkanal 0°
cable channel 0°**



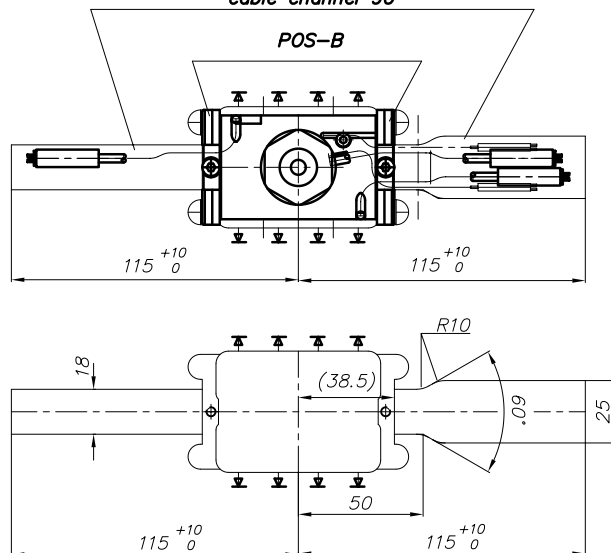
**Kabelkanal 0°
cable channel 0°**



**Kabelkanal 90°
cable channel 90°**

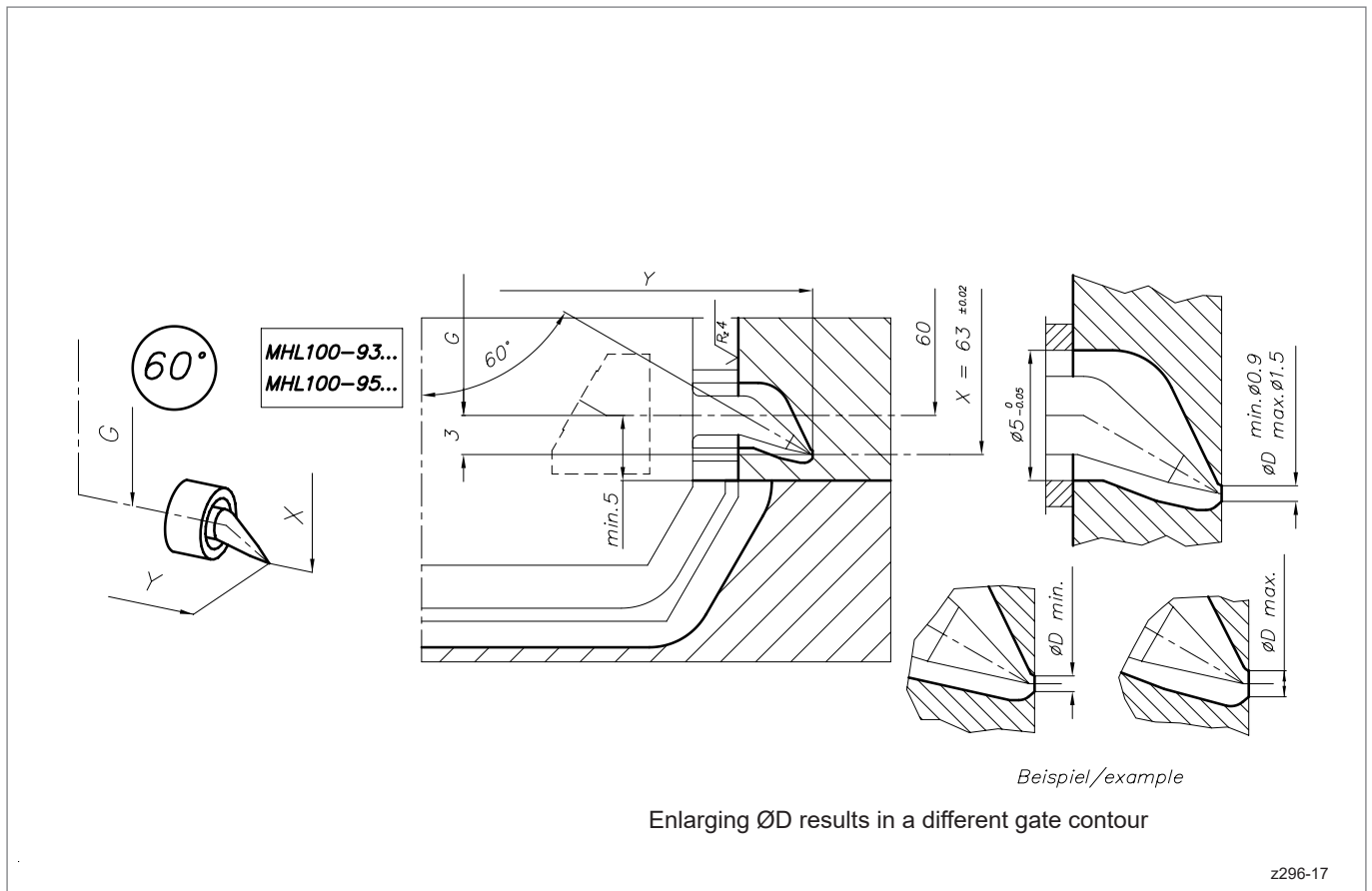
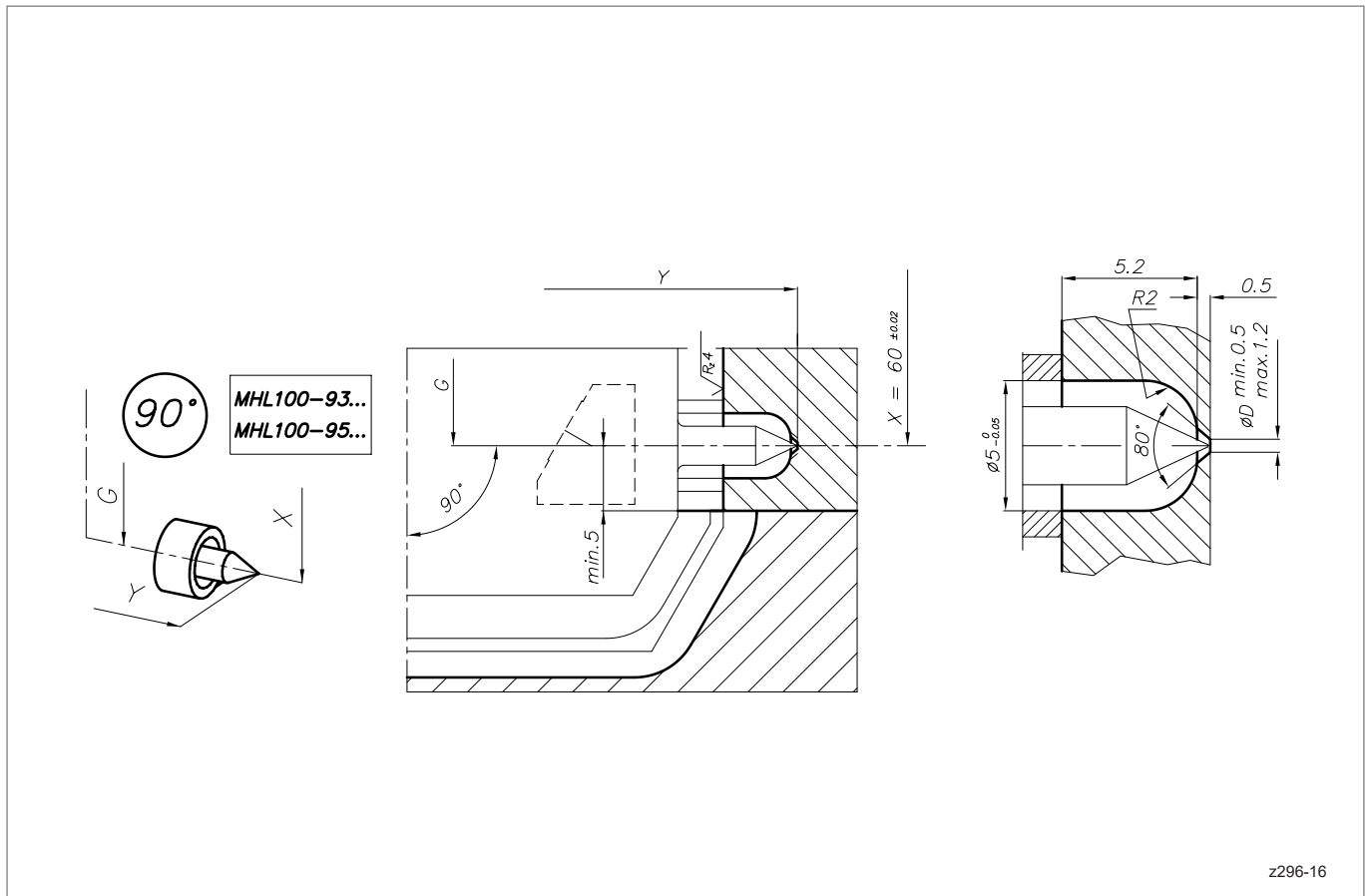


**Kabelkanal 90°
cable channel 90°**



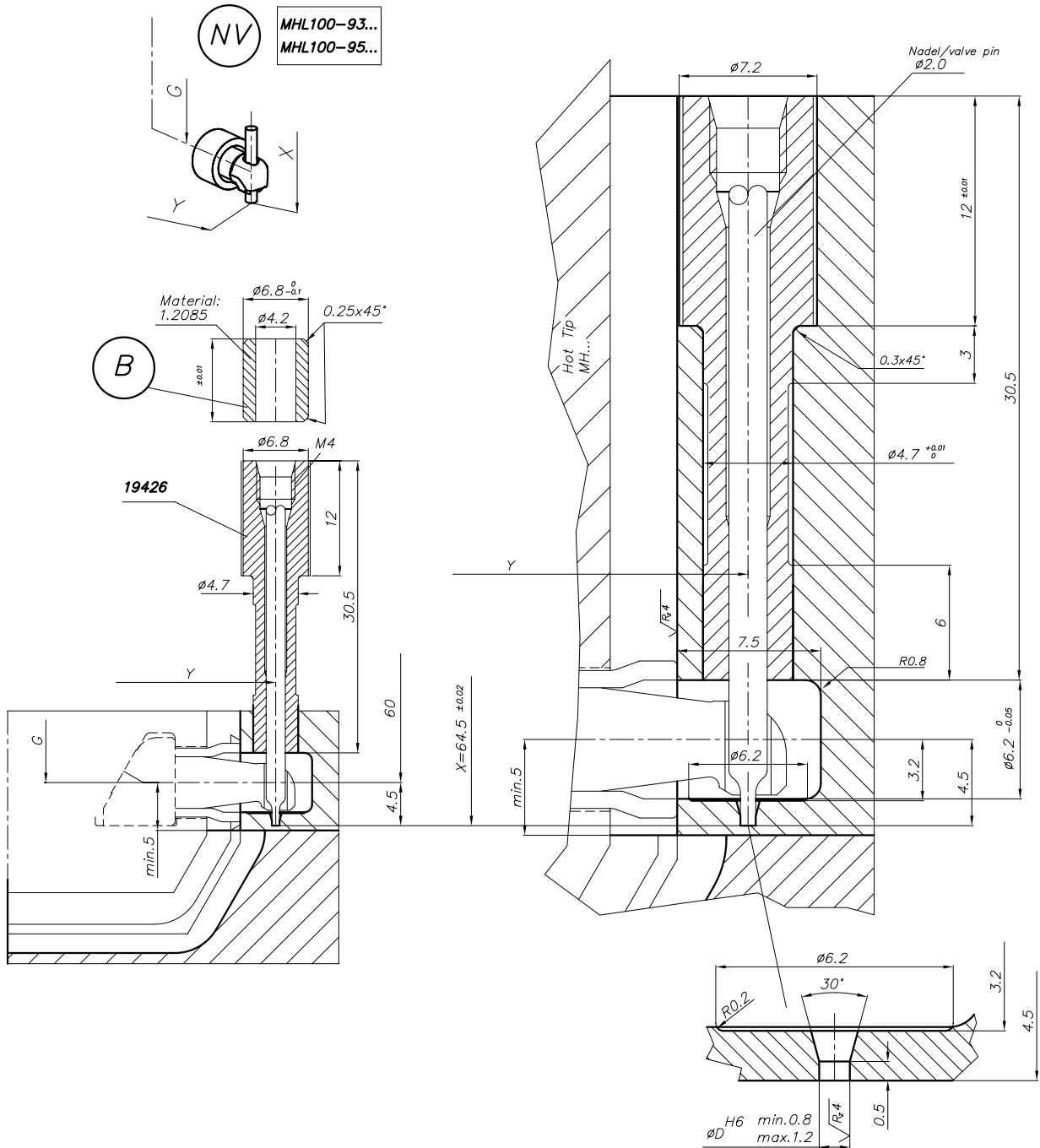
HPS III-MHL100 linear version

Details of gating geometries



19426 = Valve pin guide and seal
(please also see page 7)

(B) = Distance sleeve, if required.
Not included in delivery.



EWIKON Heißkanalsysteme GmbH
Siegener Straße 35 • 35066 Frankenberg / Germany
Tel: +49 6451 501-0 • E-Mail: info@ewikon.com
www.ewikon.com

Technical information subject to alteration | EWIKON 12/2023 EN

