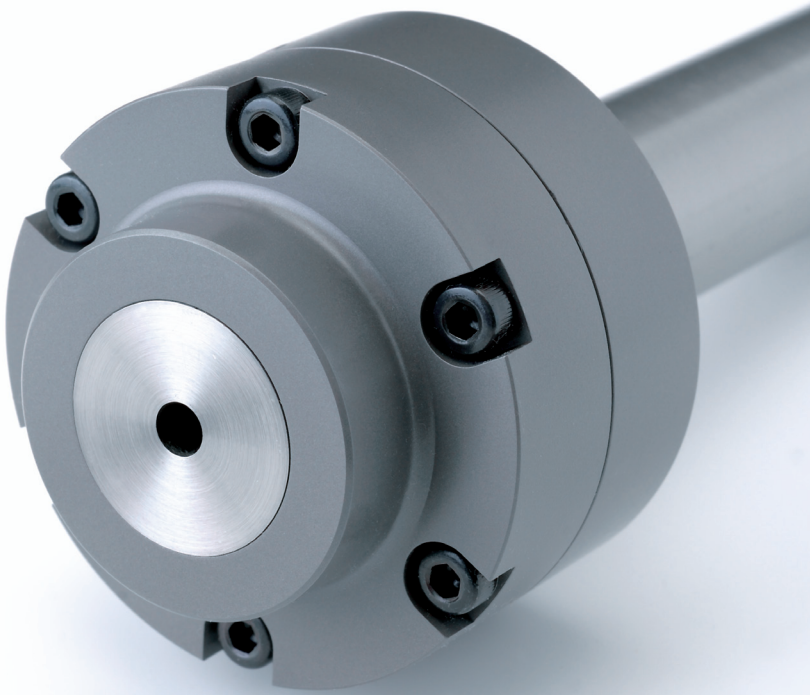


HPS III-SXE single tip
The solution for single applications



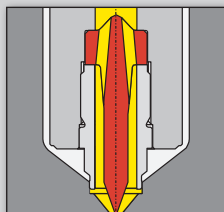
■ The solution for single applications

High-performance single tips HPS III-SXE

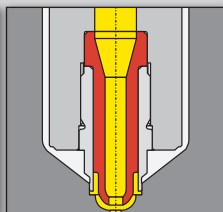
HPS III-SXE single tips with sealing near the gate offer highest process reliability for applications with demanding materials and narrow processing windows. Due to the nozzle design with two separate control zones and ceramic elements for additional thermal insulation between pressure tube and nozzle body a most homogeneous temperature profile is achieved. With a maximum processing temperature of 400°C HPS III-SXE single tips are suitable for a broad range of thermoplastics.



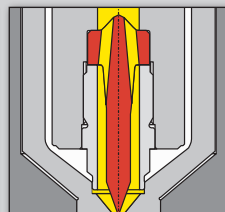
Gating options for HPS III-SXE single tips



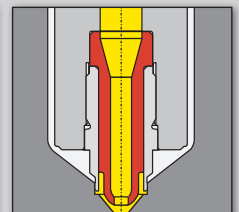
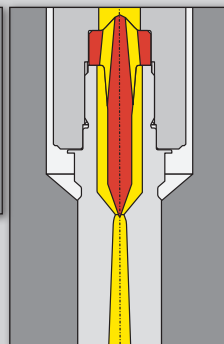
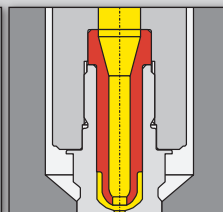
Direct gating with tip



Open gating



Various versions of gate bushes and screw-on gate bushes including over-dimensioned versions to adapt to free form contours



Membrane geometry (see page 3)

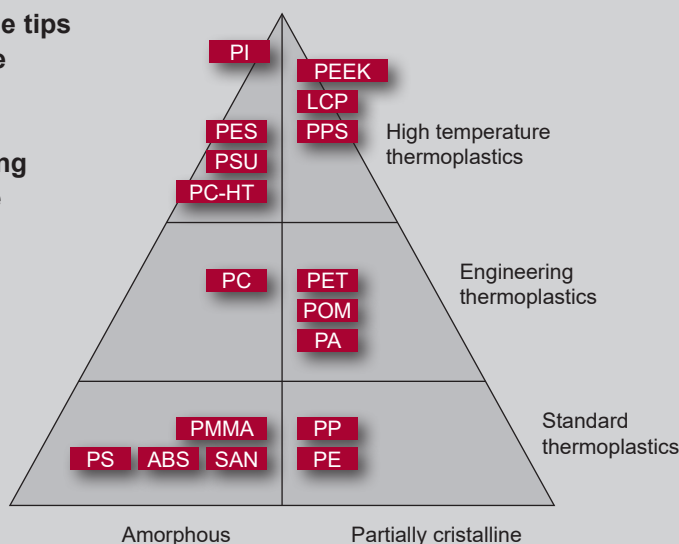
Features:

- Flow channel diameter 6 mm, 9 mm and 12 mm, special sizes on request
- Lengths from 30 mm up to 350 mm, depending on flow channel diameter
- Nozzle design with 2 control zones
- Thermal insulation by tip sealing near the gate
- Additional thermal insulation by ceramic elements between pressure tube and nozzle body
- Molybdenum tips for optimal thermal conductivity and high wear resistance
- Tips available with special coating for increased wear resistance
- Exchangeable thermocouples, heating elements and tip inserts
- Low pressure loss
- Short residence time for the melt
- Most homogeneous temperature profile
- Good colour changes
- For processing temperatures up to 400°C

Shot weights (approximate values):

Viscosity	Flow channel Ø						
	6 mm			9 mm		12 mm	
	with tip	Membrane geometry	open	with tip	open	with tip	open
low	100 g	120 g	300 g	140 g	800 g	1100 g	1500 g
medium	50 g	60 g	100 g	110 g	140 g	800 g	1100 g
high	10 g	20 g	40 g	70 g	100 g	120 g	140 g

HPS III-SXE single tips allow trouble-free processing of a broad range of materials including high temperature thermoplastics



Option for soft materials: The membrane geometry

This special combination of two gating geometries guarantees excellent results when processing soft materials like polyolefines and TPE/TPU. A HPS III nozzle with open insert is combined with the gate bush geometry used for a insert with tip. This configuration results in very low gate vestiges and a surface finish quality which could be only reached by valve gates up to now. Further advantages are the absolutely string free processing of polyolefines and very good colour change capabilities.

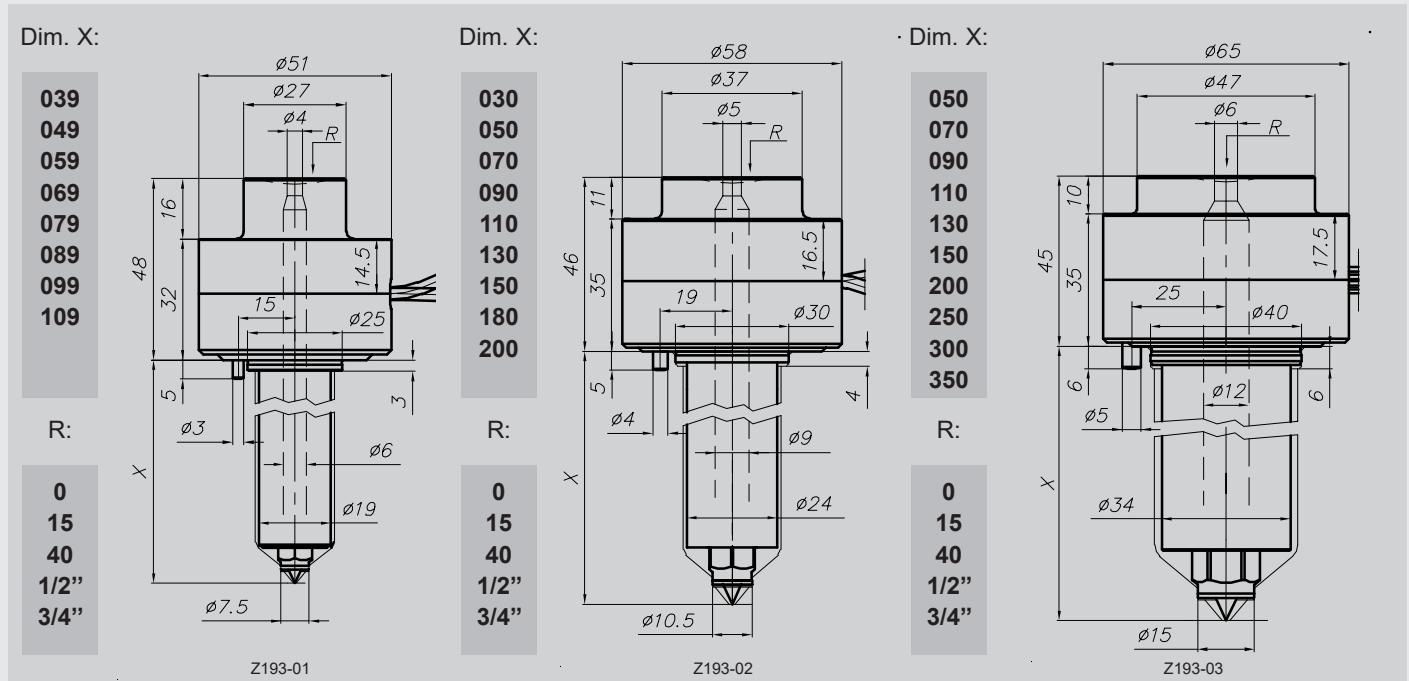
HPS III-SXE single tips, 230 V with tip sealing technology

Dimensions, flow channel diameters* and item numbers

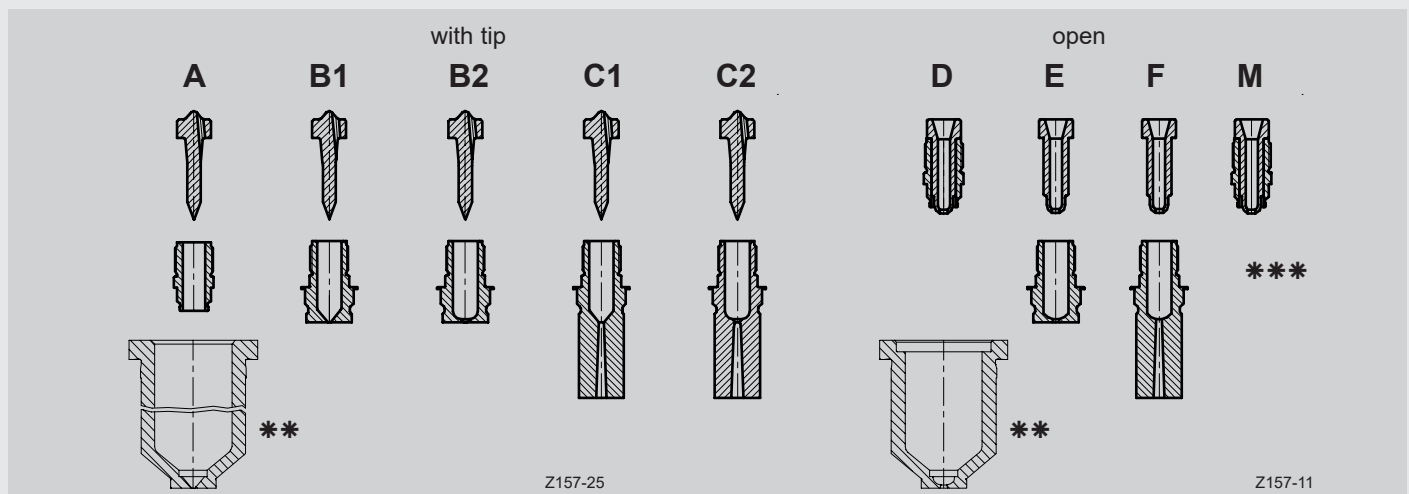
Flow channel \varnothing 6 mm
Item number: 93259...

Flow channel \varnothing 9 mm
Item number: 93309...

Flow channel \varnothing 12 mm
Item number: 93409...



Available tip/screw-on gate bush combinations



Ordering example

Example:
Single tip 93259..., flow channel \varnothing 6 mm

93259.039-A-040 — R —>

Tip/screw-on gate bush combination

Dim. X

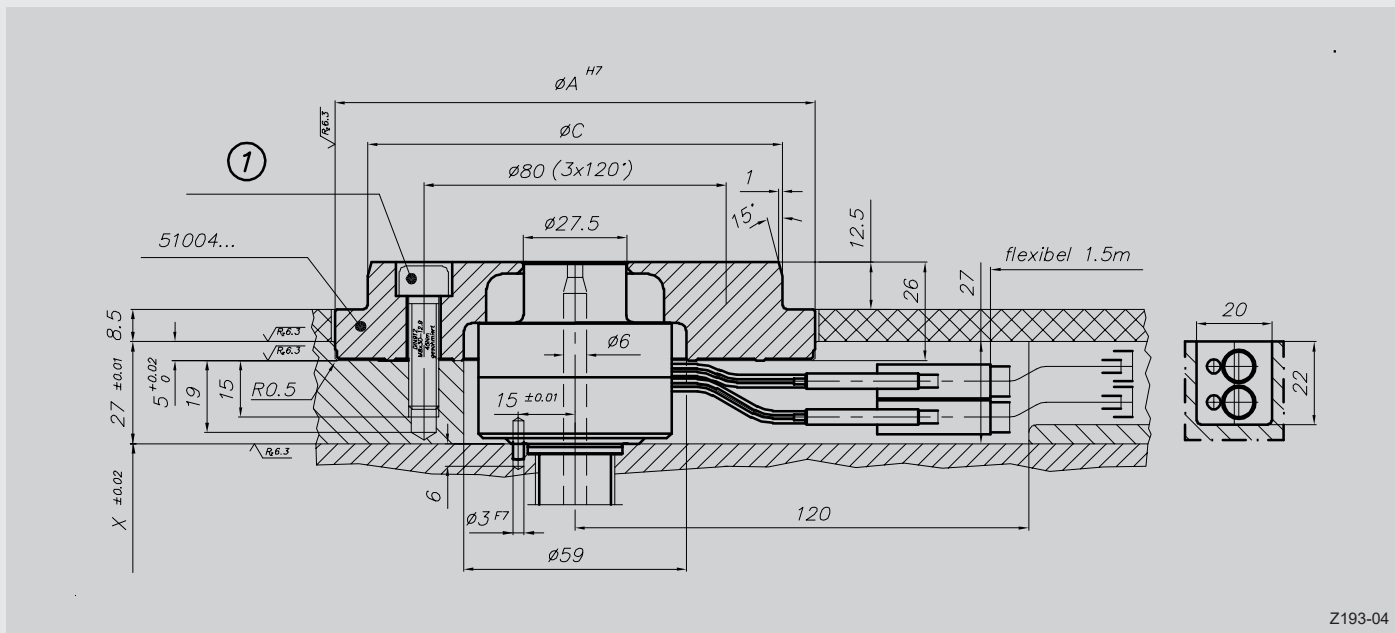
Nozzle body

R0 = ...000
R15 = ...015
R40 = ...040
R1/2" = ...1/2
R3/4" = ...3/4

Note

- * Special sizes on request
- ** The gate bush is not included and has to be ordered separately. Please refer to our main catalogue.
- *** For item number 93259... only

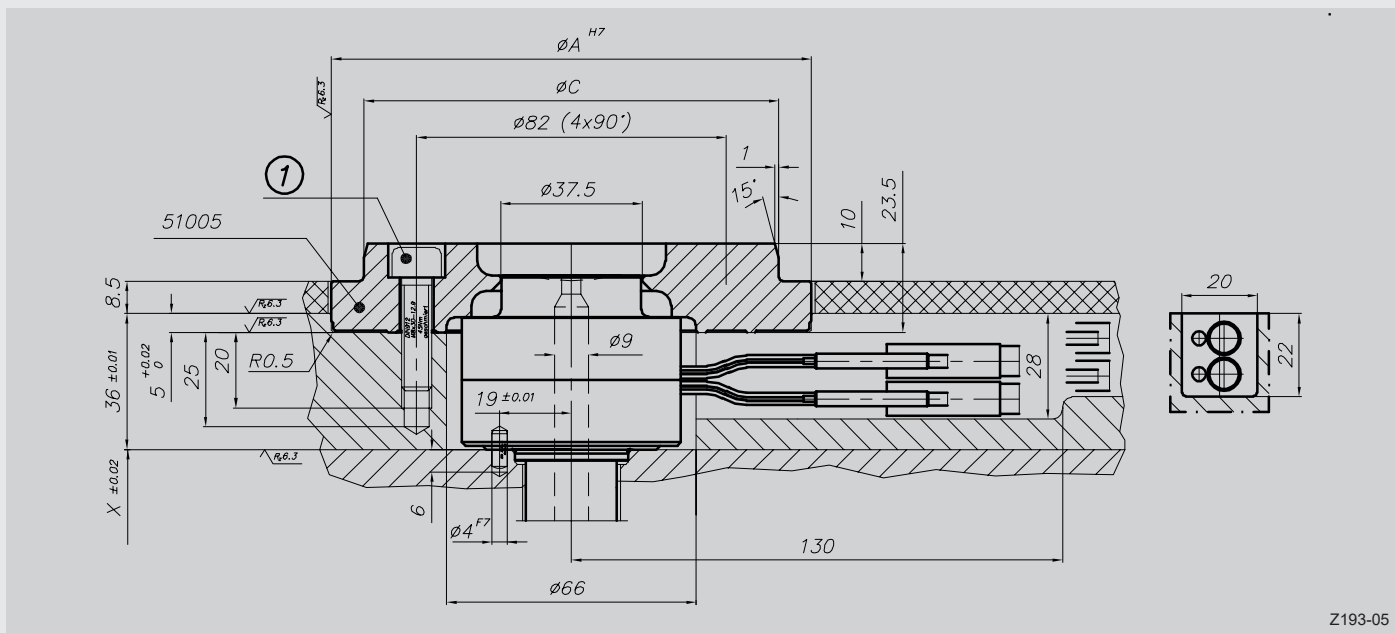
Locating ring for 93259...



Pos ① : 3 x DIN912-M8x30-12.9
45 Nm lubricated

Item number	$\varnothing A$	$\varnothing C$
51004.100	117	99,8
51004.000	118	101,34
51004.110	127	109,8
51004.125	142	124,8
51004.175	192	174,8

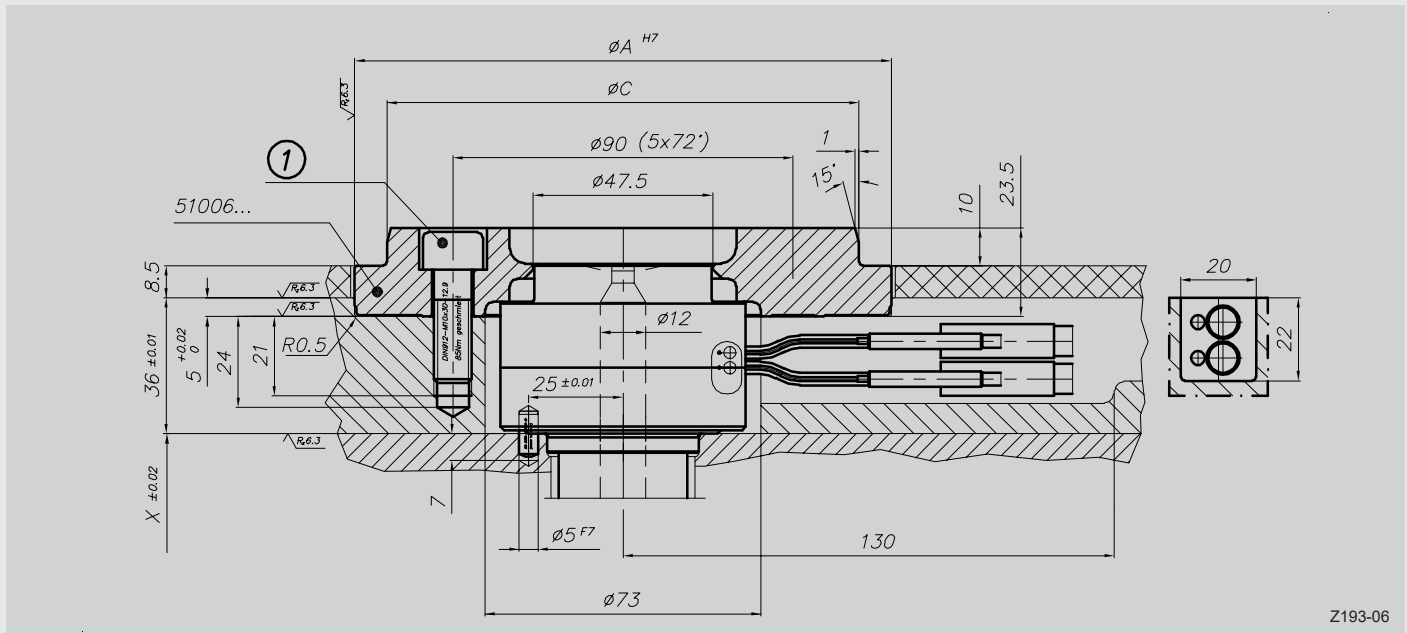
Locating ring for 93309...



Pos ① : 4 x DIN912-M8x30-12.9
45 Nm lubricated

Item number	$\varnothing A$	$\varnothing C$
51005.100	117	99,8
51005.000	118	101,34
51005.110	127	109,8
51005.125	142	124,8
51005.175	192	174,8

Locating ring for 93409...



Pos ① : 5 x DIN912-M10x30-12.9
85 Nm lubricated

Item number	ØA	ØC
51006.125	142	124,8
51006.175	192	174,8

■ Wiring HPS III-SXE

The nozzle is operated with 2 control zones. The connecting socket 63010.009 (10-pin) is used.
The connecting socket is not included and has to be ordered separately.
Please follow the wiring instructions below.

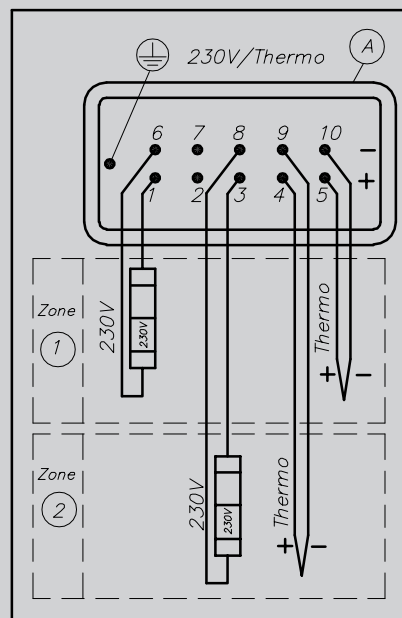
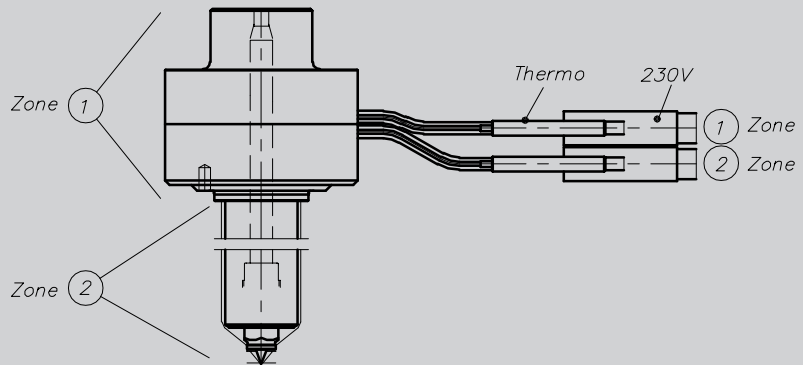
(A) Connecting socket,
 item number 63010.009

230 V

Cable colour:
 orange (L) / grey (N)

Thermo

Cable colour:
 black + / white - (J type)
 Option:
 green + / white - (K type)



Z193-07

EWIKON
Heißkanalsysteme GmbH
Siegener Straße 35
35066 Frankenberg
Tel: (+49) 64 51 / 50 10
Fax: (+49) 64 51 / 50 12 02
E-mail: info@ewikon.com
www.ewikon.com

Your EWIKON partner: